



INSTALLATION ADDENDUM (B-774)

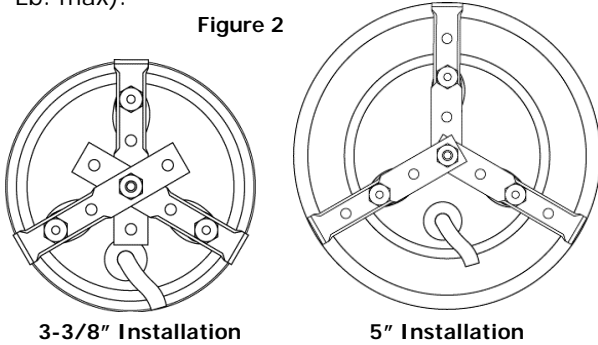
115377 Rev 1, 1/6/2003
1-866-SWP-RACE (797-7223)
www.SW-Performance.com

5" & 3-3/8" DASH MOUNTING KIT

WARNING: When installing the studs for the dash mounting kit, only turn studs in 8 turns.

- ❑ Recommended panel cut-out (hole size) for 3-3/8" tachometer is 3-3/8". 5" tachometer is 4-5/8" if recessed to the bezel, or 3-3/8" if recessed to the step.
- ❑ Secure the tachometer in the hole using the supplied bracket for by removing the 3 Torx screws using a T10 Torx driver. Insert the 3 studs (no more than 8 turns) and install lock washers and nuts to secure the rear cover. Install the bracket as shown in figure 2 and tighten the 3 locking nuts (5 in. Lb. max).

Figure 2



3-3/8" Installation

5" Installation